



# VISI 1332V/VA Technical Specifications

Feature	Product	Specification
<b>Approvals</b>	MLS - 3EX proximity switch VA analog transmitter	CSA Class I Div 1 (EX), Groups C & D CSA Class I Div 1 (EX), Groups C & D
<b>Measuring Range</b>	VISI 1332V VA analog transmitter	2ft to 8ft (standard) 4ft, 6ft, 8ft, lengths
<b>Accuracy</b>	VISI 1332V VA analog transmitter	+/- 2cm (0.8 inch) at constant product density +/- 1.25cm (0.5 inch)
<b>Resolution</b>	VA analog transmitter	+/- 1.25cm (0.5 inch)
<b>Gauge Board Display</b>	VISI 1332V	Linear meters, in 2cm increments
<b>Materials of Construction</b>	VISI 1332V MLS - 3EX proximity switch VA analog transmitter	Al, StSt, Fiberglass, Polycarbonate, Teflon StSt, Al StSt, Al
<b>Wetted Parts</b>	VISI 1332V	Fiberglass, StSt, Teflon
<b>Operating Temperature</b>	VISI 1332V MLS - 3EX proximity switch VA analog transmitter	+60 °C max -40 °C to +177 °C -40 °C to +60 °C
<b>Vessel Pressure</b>	VISI 1332V	50 psi max (standard)
<b>Process Connection</b>	VISI 1332V	1" NPT, mechanical mounting assembly suitable for 3" or 4" 150# ANSI flange (standard)
<b>Signal Output</b>	MLS - 3EX proximity switch VA analog transmitter	Form C SPDT 4 - 20 mA
<b>Voltage</b>	MLS - 3EX proximity switch VA analog transmitter	250V AC/DC max Loop Powered 9-26V DC
<b>Current</b>	MLS - 3EX proximity switch VA analog transmitter	1A max 23mA max
<b>Electrical Connection</b>	MLS - 3EX proximity switch VA analog transmitter	1/2" NPT 3/4" NPT

## Locations

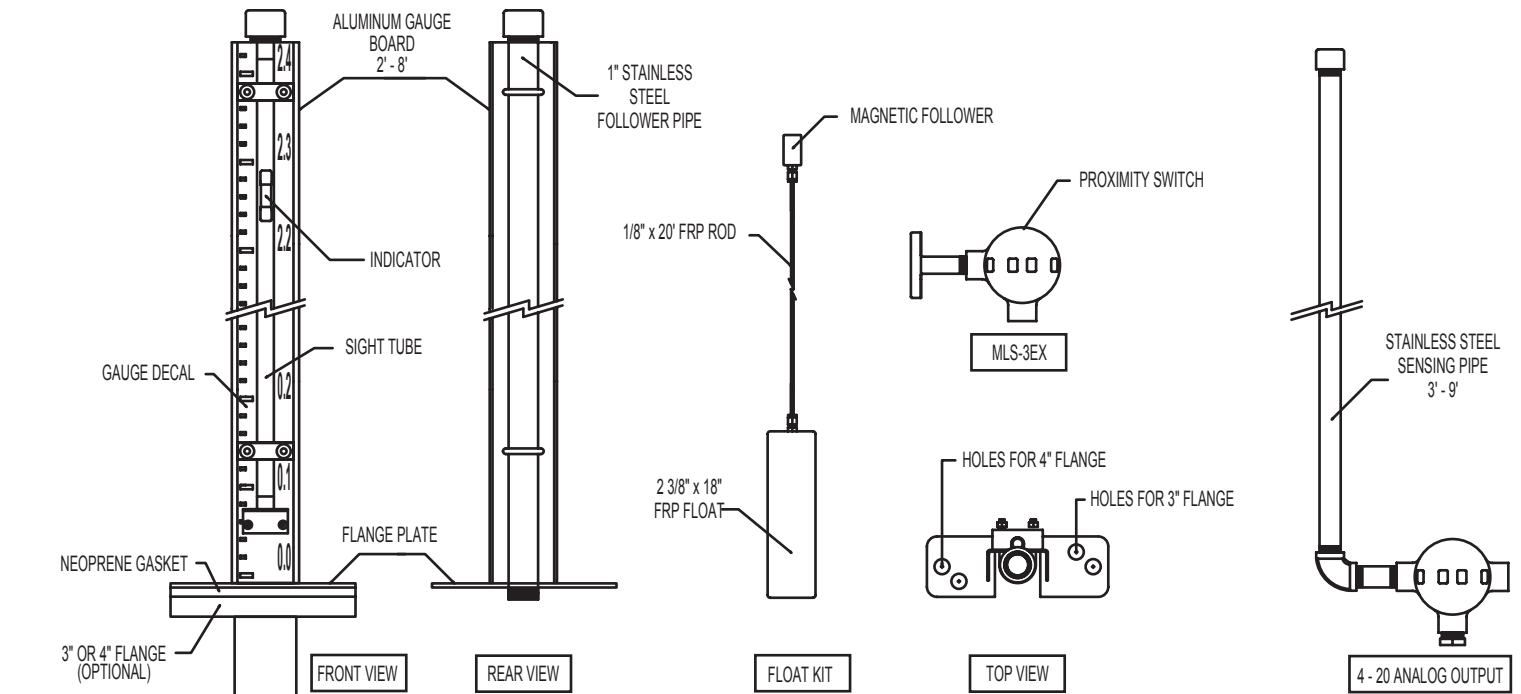
Head Office  
4130 – 93 Street  
Edmonton, Alberta, Canada  
T6E 5P5  
P (780) 462-4085  
F (780) 450-8369

Calgary Sales Office  
Box 306, #440 10816  
Macleod Trail S.  
Calgary, Alberta, Canada  
T2J 5N8  
P (403) 251-5797  
F (403) 251-2480

Saskatchewan Branch  
Box 460, 103 Cenaiko Street  
Lampman, Saskatchewan,  
Canada  
S0C 1N0  
P (306) 487-2883  
F (306) 487-2889



# VISI 1332V/VA Technical Specifications



## VISI 1332V/VA Order Code

### Output

- V** No analog output
- VA** Analog output (4-20 mA, 2 wire)

### Tank diameter

\_\_Inches

### Tank Process Connection

- 1N** 1" NPT
- 3F** 3" 150# Flange
- 4F** 4" 150# Flange
- YY** special connection

### Proximity Switch

- XX** No Switch
- 1S** One Electrical Switch
- 2S** Two Electrical Switches
- \_S** \_\_ Electrical Switches
- 1P** One Pneumatic Switch
- 2P** Two Pneumatic Switches
- \_P** \_\_ Pneumatic Switches

### Stilling Well

- XX** Not required (supplied by others)
- 3F10** Fiberglass, 3 Inch Diameter, 10ft length
- 3F20** Fiberglass, 3 Inch Diameter, 20ft length
- 4P10** PVC, 4 Inch Diameter, 10ft length
- 4P20** PVC, 4 Inch Diameter, 20ft length

<b>1332S</b>					
--------------	--	--	--	--	--

Example: 1332S -VA-72-3F-1S-3F10  
 1332 with analog output, 6 feet tank diameter, 3" flange connection, one electrical proximity switch, supplied with 10ft Fiberglass stillwell